

Features

- Universal input 90-264V AC
- Direct EURO Fixed Plugtop Adapter
- Approved to UKCA, CE, RoHS
- IEC/EN 60950-1 Safety Approved
- Meets Efficiency Level VI
- Single Output 15V DC
- OVP, OCP, OTP, SCP



Image for Illustration Purpose
Models may vary

Ideal Power's 15DYS650-xyW-3-RS 50W AC/DC External Adapter UK Plugtop Power Supply (PSU) Series are certified to UKCA, CE, RoHS & IEC 60950-1/EN 60950-1 Standards and comply with Efficiency Regulations. These are primarily used in ITE, Audio & Video Industries and customised solutions are available upon request.

Models

| Model Number | Output Voltage (V DC) | Output Current (A) | Output Power (W) | Efficiency (%) |
|----------------------|-----------------------|--------------------|------------------|----------------|
| 15DYS650-150336-3-RS | 15 | 3.36 | 50.4 | 88 |

Input Data

| | Min | Typical | Max | Units | Notes |
|-----------------|-----|---------|------|-------|------------------------------|
| Input Voltage | 90 | -- | 264 | V AC | 100-240VAC +/- 10% |
| Input Frequency | 47 | -- | 63 | Hz | 50-60Hz +/- 5% |
| Input Current | -- | -- | 1.3 | A | |
| Inrush Current | 0 | -- | 80 | A | At cold start, 100 / 240V AC |
| Leakage Current | -- | -- | 0.25 | mA | |

Output Data

| | Min | Typical | Max | Units | Notes |
|--------------------------|-------|---------|-------|-------|--|
| Output Voltage Range | 14.25 | -- | 15.75 | V | |
| Ripple & Noise | -- | 300 | -- | mVp-p | Model dependant |
| Line Regulation | -- | 3 | -- | % | |
| Load Regulation | -- | 5 | -- | % | |
| Turn-on Delay Time | -- | -- | 3 | S | to 240 Vac input & Full load |
| Hold-up Time | 5 | -- | -- | S | full load & 100Vac/60Hz input turn off at worst case |
| Over Current Protection | -- | -- | 4.36 | A | Will recover if fault condition is removed |
| Short Circuit Protection | | | | | Will recover if fault condition is removed |
| Over Voltage Protection | | | | | Will recover if fault condition is removed |

Environmental Data

| | Min | Typical | Max | Units | Notes |
|-----------------------|-----|---------|-----|-------|-------|
| Operating Temperature | 0 | -- | +45 | °C | |
| Storage Temperature | -20 | -- | +80 | °C | |
| Operating Humidity | 10 | -- | 90 | °C | |
| Storage Humidity | 5 | -- | 95 | °C | |

Other Information

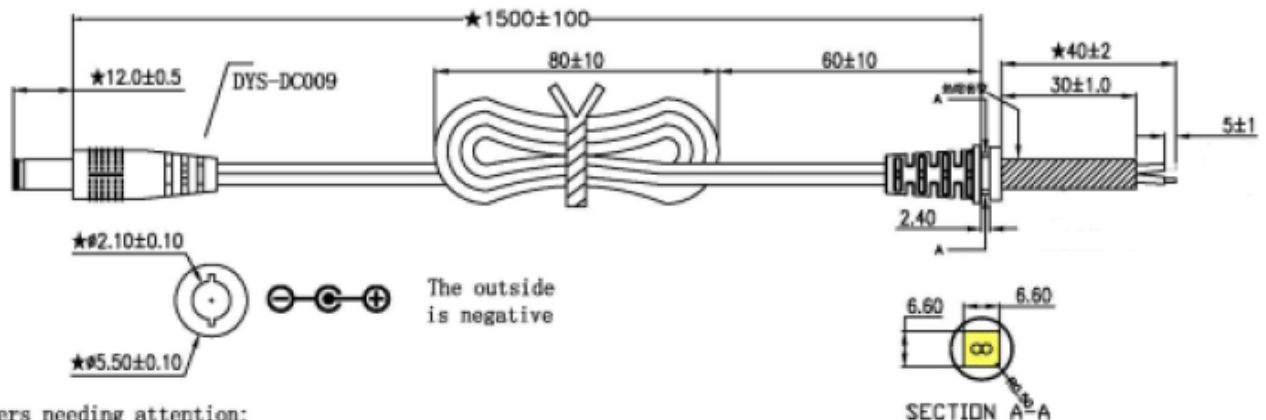
| | Min | Typical | Max | Units | Notes |
|------------------|-----|---------|-----|-------|--|
| Insulation | 50 | -- | -- | MΩ | At primary to secondary add 500V dc test V |
| MTBF | -- | 50,000 | -- | hrs | |
| Dimensions | | | | | 84x52.2x60.2mm |
| Cable | | | | | UL2468, 18AWG, 1500mm, |
| Output Connector | | | | | 2.1x5.5x12mm |

EMI/EMS Standards

| | Test Level | | |
|---------------|----------------|--|----------|
| EMI | EN 55032 | | |
| EMS | EN 55035 | | |
| ESD | IEC 61000-4-2, | Air discharge +/-8KV, Contact discharge +/-4KV | |
| EFT | IEC 61000-4-4, | AC-Input 0.5KV/1KV | |
| Surge Voltage | IEC 61000-4-5 | Differential mode +/-1KV. Common mode +/-2KV | |
| | | | Pass B |
| | | | Pass A/B |
| | | | Pass A |

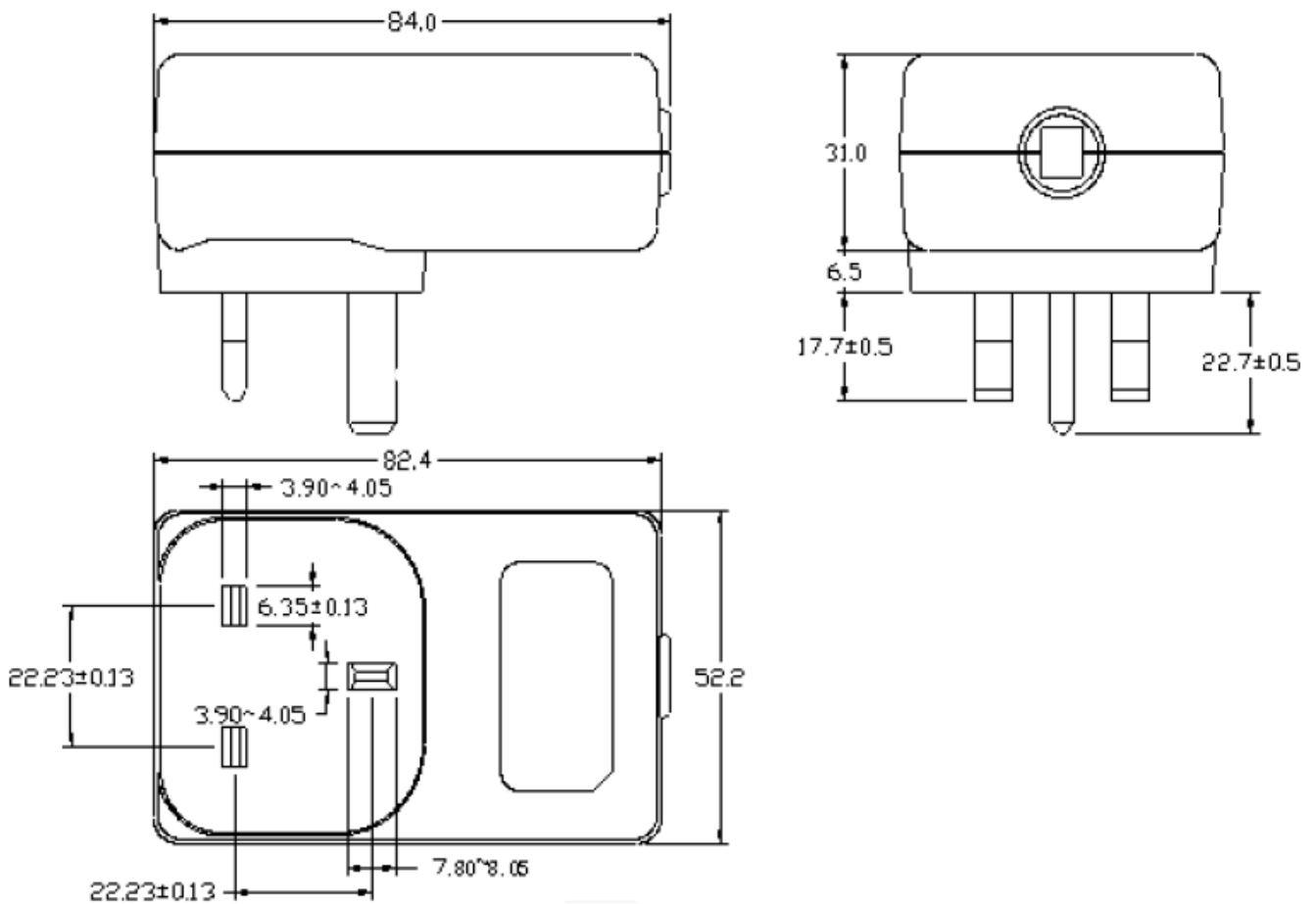
Safety Approvals

| | Safety Standards |
|----------------|------------------------|
| Certifications | UKCA, CE, TUV-GS, RoHS |
| Approvals | IEC/EN 60950-1 |

Typical Cable Drawing


Matters needing attention:
 1,DC PLUG:φ2.1*φ5.5*12.0 fork hook(Black Insulation)
 2,SR SIZE:6.6*6.6*2.4

Mechanical Drawing



Typical Label Drawing

